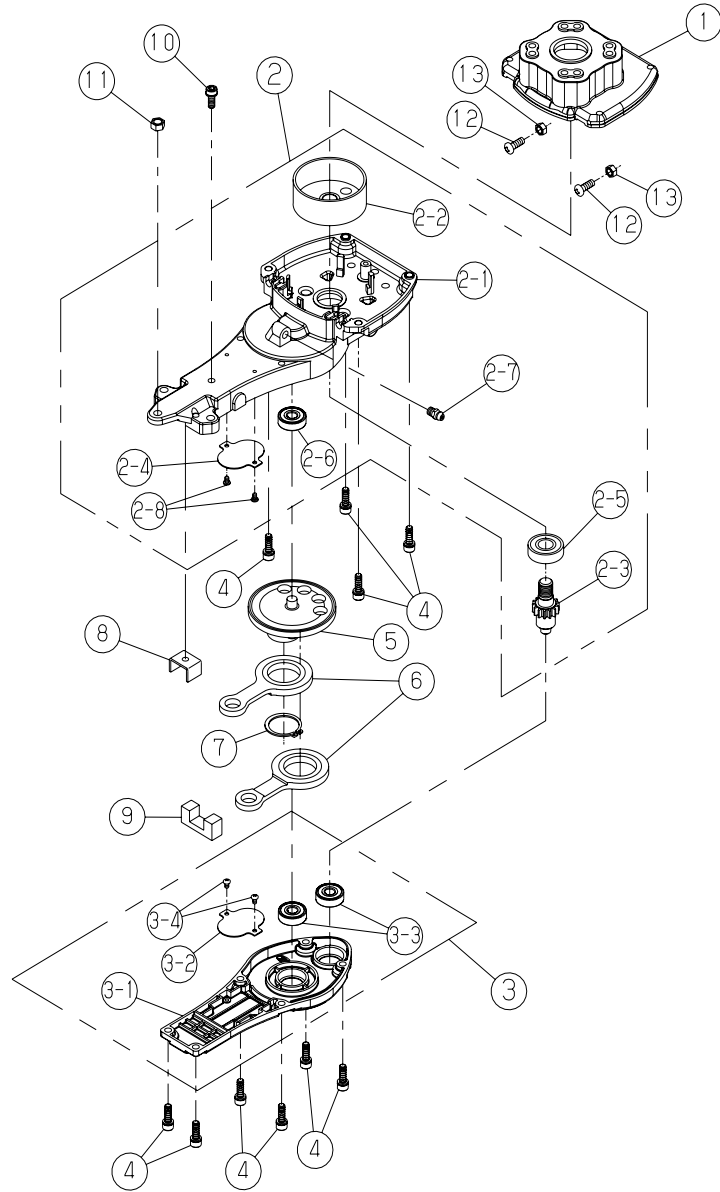


ECLATE CARTER KTHS 750



No.	CODE	DESIGNATION	QTE
1	TE1-A041000	CARTER D'EMBRAYAGE	1
2	TE5-0018000	CARTER - ENSEMBLE SUPERIEUR	1
2-1	TE5-A007000	CARTER SUPERIEUR	1
2-2	136-145	CLOCHE D'EMBRAYAGE	1
2-3	TE1-A050000	PIGNON	1
2-4	TE1-A045000	PLAQUE DE FERMETURE	1
2-5	K354-060010	SUPPORT	1
2-6	K353-006080	SUPPORT	1
2-7	R055-000100	GRAISSEUR	1
2-8	K010-030050	VIS M3 x 5	2
3	TE5-0002000	CARTER - ENSEMBLE INFERIEUR	1
3-1	TE5-A006000	CARTER INFERIEUR	1
3-2	TE1-A045000	PLAQUE DE FERMETURE	1
3-3	K353-006080	SUPPORT	2
3-4	K010-030050	VIS M3 x 5	2
4	K081-05016T	BOULON M5 x 16	10
5	TE1-A043000	ENTRAINEMENT DE LAMIER	1
6	TE1-A044000	BIELLETTTE	2
7	K283-026000	CIRCLIP	1
8	A325-103004	SUPPORT	1
9	A286-112004	GUIDE	1
10	K073-050126	BOULON M5 x 12	1
11	K164-060000	ECROU M6	1
12	K010-050100	VIS M5 x 10	2
13	K151-050000	ECROU M5	2

