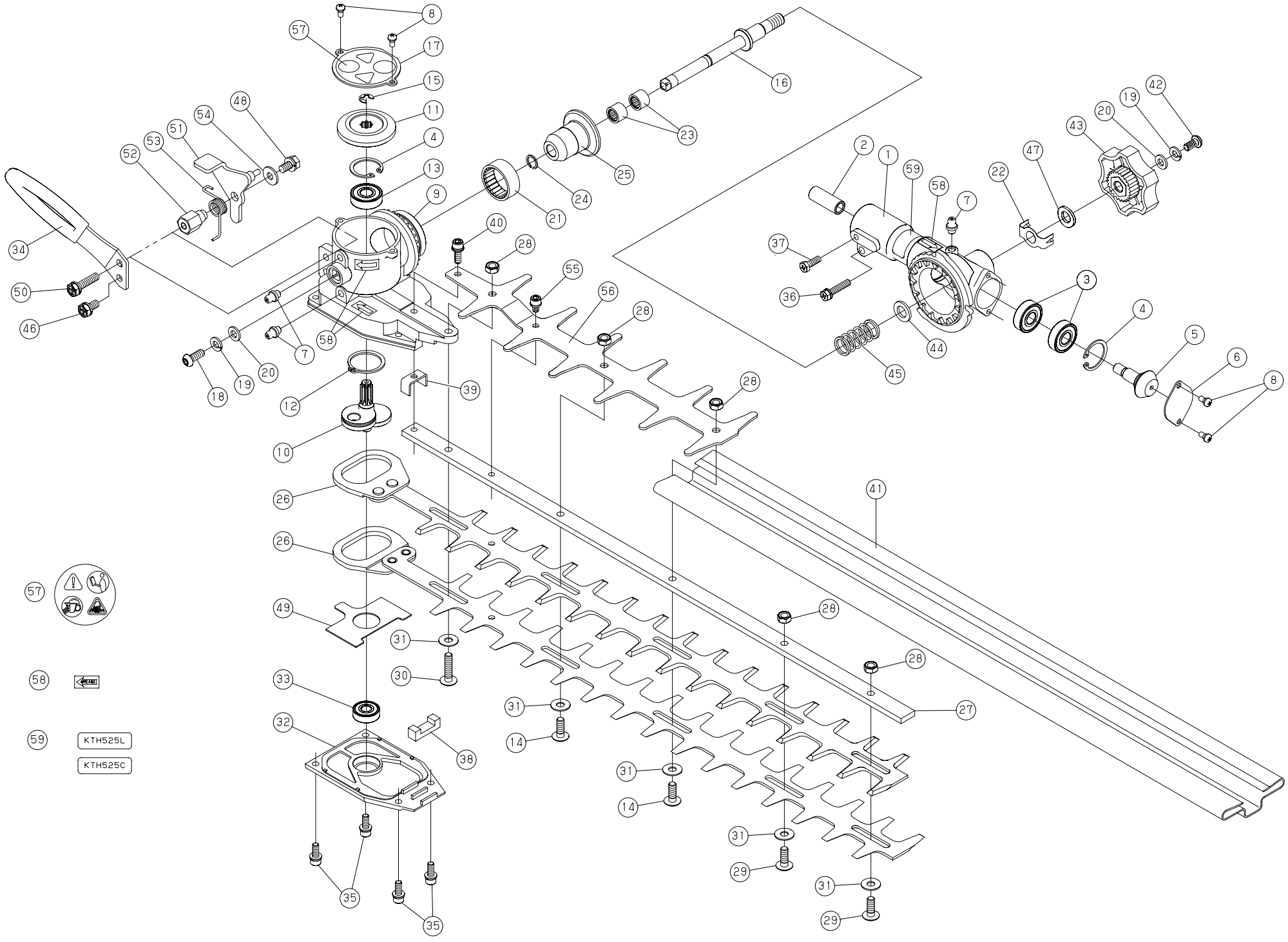


ECLATE DES TAILLES-HAIES PERCHE LAMIER KTH 525 C - KTH 525 L

No.	CODE	DESIGNATION	QTE	
			KTH525C	KTH525L
1	TP5-A240030	CARTER	1	1
2	A224-110004	JOINT	1	1
3	K353-060000	ROULEMENT	2	2
4	K282-026000	ANNEAU	2	2
5	G023-500170	ENGRENAGE EN BISEAU	1	1
6	TP1-A020000	COUVERCLE	1	1
7	R055-000100	GRAISSEUR	3	3
8	K016-040080	VIS M4 x 8	4	4
9	TP5-A006000	CARTER DE RENVOI D'ANGLE	1	1
10	G024-000020	VILBREQUIN	1	1
11	G023-500180	ENGRENAGE CONIQUE	1	1
12	K283-028000	ANNEAU	1	1
13	K354-060000	ROULEMENT A BILLES	1	1
14	A040-002009	BOULON	2	2
15	K280-006000	ROULEMENT A AIGUILLES	1	1
16	TP2-A001000	ARBRE	1	1
17	TP1-A017000	CACHE	1	1
18	K082-06016T	BOULON M6 x 16	1	1
19	K210-060000	RONDELLE M6	2	2
20	K201-060000	RONDELLE M6	2	2
21	R049-000900	ROULEMENT A AIGUILLES	1	1
22	TP1-A030000	LAME DE BLOCAGE	1	1
23	R049-000800	ROULEMENT A AIGUILLES	2	2
24	K287-010000	ANNEAU	1	1
25	G023-500160	ENGRENAGE CONIQUE	1	1
26	TP4-A330500	LAME DE COUPE	2	2
27	TP1-A021000	SUPPORT DE LAMES	1	1
28	K164-060000	ECROU M6	5	5
29	A040-001009	BOULON	2	2
30	G040-005000	BOULON	1	1

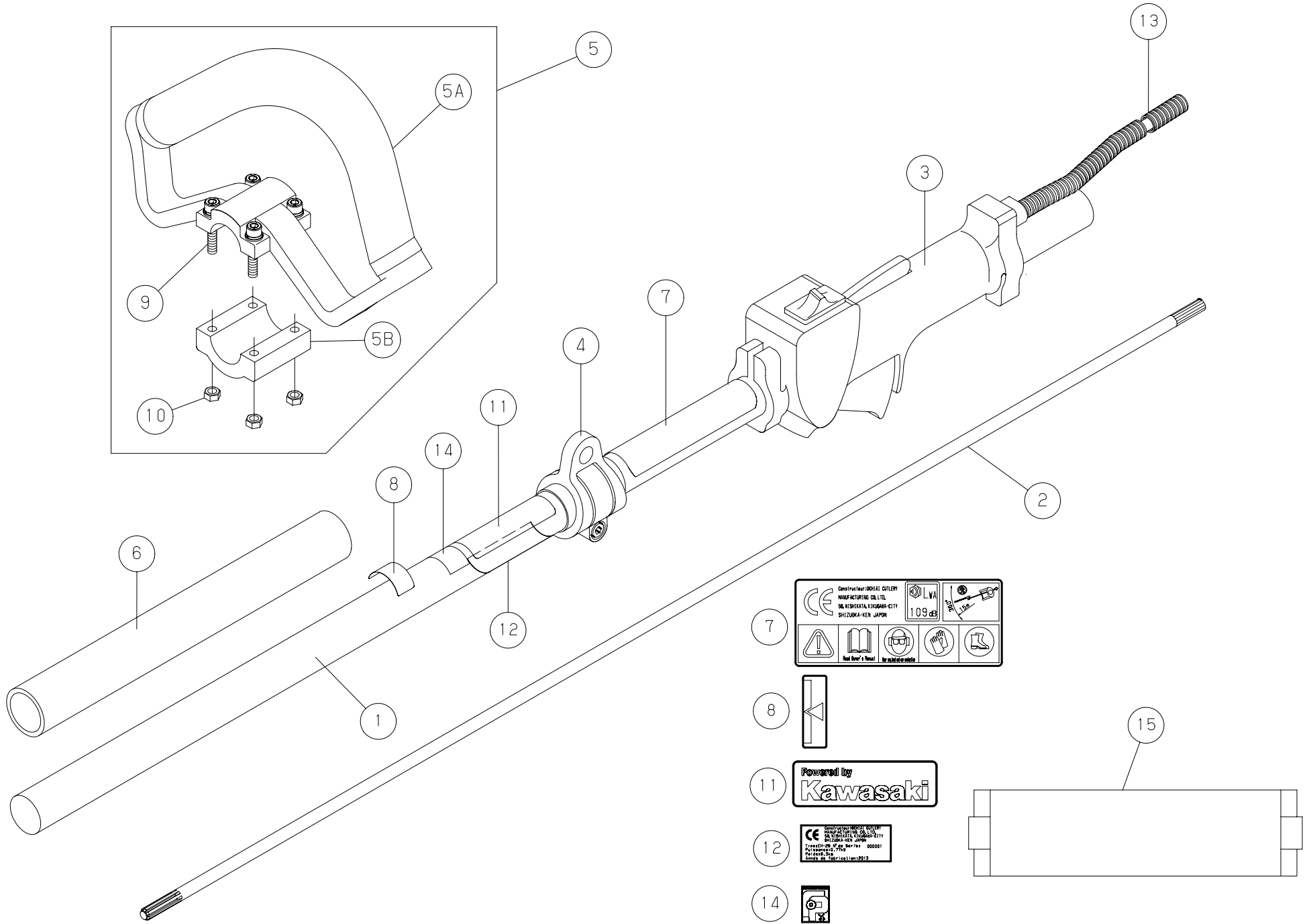
ECLATE DES TAILLES-HAIES PERCHE LAMIER KTH 525 C - KTH 525 L

No.	CODE	DESIGNATION	QTE	
			KTH525C	KTH525L
31	008-250	RONDELLE	5	5
32	TP5-A008000	CARTER D'ENGRENAGE	1	1
33	K354-006080	ROULEMENT A BILLES	1	1
34	TP1-A040000	POIGNEE	1	1
35	K078-05014T	BOULON M5 x 14	4	4
36	K054-050250	BOULON M5 x 25	1	1
37	K047-050120	BOULON M5 x 12	1	1
38	TP1-A019000	SUPPORT	1	1
39	TP1-A023000	SUPPORT	1	1
40	K078-050164	BOULON M5 x 16	1	1
41	A028-200049	PROTEGE LAME	1	1
42	K082-06012T	BOULON M6 x 12	1	1
43	TP1-A025000	MOLETTE	1	1
44	K203-100000	RONDELLE M10	1	1
45	G002-000290	RESSORT	1	1
46	K054-060120	BOULON M6 x 12	1	1
47	K213-100000	RONDELLE RESSORT M10	1	1
48	K054-060160	BOULON M6 x 16	1	1
49	TP1-A022000	PLAQUE	1	1
50	K054-060200	BOULON M6 x 20	1	1
51	TP1-A041000	LEVIER	1	1
52	TP1-A042000	DOUILLE	1	1
53	G003-000150	RESSORT	1	1
54	K207-060162	RONDELLE	1	1
55	K081-050084	BOULON M5 x 8	1	1
56	TP1-A047000	PROTEGE LAME	1	1
57	G052-001810	ETIQUETTE D'AVERTISSEMENT	1	1
58	G052-001980	ETIQUETTE DE GRAISSE	3	3
59	G051-005510	ETIQUETTE "KTH 525 L"		1
	G051-005520	ETIQUETTE "KTH 525 C"	1	



ECLATE DES TAILLES-HAIES PERCHE POIGNEE KTH 525 C - KTH 525 L

No.	CODE	DESIGNATION	QTE	
			KTH525C	KTH525L
1	R210-00160B	TUBE L=1100		1
	R210-00150B	TUBE L=750	1	
2	R210-00200A	ARBRE DE TRANSMISSION L=1155		1
	R210-00190A	ARBRE DE TRANSMISSION L=796	1	
3	R034-005700	ACCELERATEUR ET ARRET	1	1
4	R039-002800	SUSPENSION	1	1
5	R210-001400	ENSEMBLE POIGNEE CERCEAU	1	1
5A	R210-001410	POIGNEE GUIDON	1	1
5B	R210-001420	SUPPORT POIGNEE	1	1
6	G035-000040	CAOUTCHOUC 350		1
	G035-000050	CAOUTCHOUC 130	1	
7	G052-003560	ETIQUETTE D'AVERTISSEMENT	1	1
8	G052-001850	ETIQUETTE DE POSITIONNEMENT	1	1
9	K078-050303	BOULON M5 x 30	4	4
10	K150-050002	ECROU HEXAGONALE M5	4	4
11	G051-005560	ETIQUETTE MARQUE Powered by KAWASAKI	1	1
12	G052-003610	ETIQUETTE CONSTRUCTEUR	1	1
13	G013-070051	GAINÉ	1	1
14	G051-005570	LOGO DE MARQUE "FRANCEPOWER"	1	1
15	R 039-002600	SANGLE	1	1



CE Construction (OHKAI) CO., LTD.
 MANUFACTURING CO., LTD.
 2-1-1 HIRATAKA, FUKUOKA-CITY,
 SHIZUOKA-KEN, JAPAN

LWA 109dB

! (Warning icon)
 (Manual icon)
 (No fire icon)
 (Hand icon)
 (Safety boots icon)

Read user's manual. Do not use in wet areas.

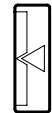
7

8

11

12

14



Powered by
Kawasaki

CE Construction (OHKAI) CO., LTD.
 MANUFACTURING CO., LTD.
 2-1-1 HIRATAKA, FUKUOKA-CITY,
 SHIZUOKA-KEN, JAPAN

Type: ST-25 V-Mg, Serial No: 000001
 No. 1000000000
 Produced in: JAPAN
 Model No.: KTH525C/KTH525L

